

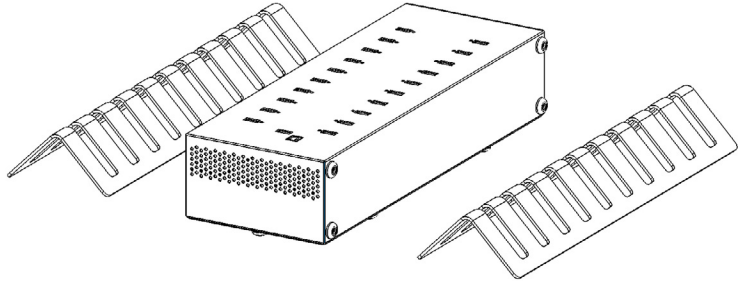


Model H9759LL/A

PowerSync D20 for iOS devices*

QUICK START GUIDE

Welcome!



Congratulations on purchasing your new PowerSync D20 for iOS devices!

This Quick Start Guide is intended to guide you through the initial setup and basic use of the Bretford PowerSync D20 for iOS devices. Additional information available at :

www.bretford.com/apple

CAUTION:



Ambient temperature not to exceed 35°C (95°F). PowerSync D20 should only be used indoors

User can only connect 20 iOS devices at one time

Input Power Cord must meet these specifications: A certified power supply cord must be used with this equipment. The relevant national installation and/or equipment regulations shall be considered. A certified power supply cord not lighter than ordinary polyvinyl chloride flexible cord according to IEC 60227 (designation H03 VV-F) shall be used. Alternatively, a flexible cord of synthetic rubber according to IEC 60245 (designation H05 RR-F) shall be used.

The power cord set shall have a power supply cord with conductors providing a cross-sectional area of 3G, 1.00mm² minimum, and shall have an IEC plug. The socket-outlet shall be installed near the equipment and shall be easily accessible.

FCC Statement

1. This device complies with Part 15 of the FCC Rules. Operation is subject to the following two conditions:

(1) This device may not cause harmful interference.

(2) This device must accept any interference received, including interference that may cause undesired operation.

2. Changes or modifications not expressly approved by the party responsible for compliance could void the user's authority to operate the equipment.

NOTE:

This equipment has been tested and found to comply with the limits for a Class B digital device, pursuant to Part 15 of the FCC Rules. These limits are designed to provide reasonable protection against harmful interference in a residential installation.

This equipment generates uses and can radiate radio frequency energy and, if not installed and used in accordance with the instructions, may cause harmful interference to radio communications. However, there is no guarantee that interference will not occur in a particular installation. If this equipment does cause harmful interference to radio or television reception, which can be determined by turning the equipment off and on, the user is encouraged to try to correct the interference by one or more of the following measures:

Reorient or relocate the receiving antenna.

Increase the separation between the equipment and receiver.

Connect the equipment into an outlet on a circuit different from that to which the receiver is connected.

Consult the dealer or an experienced radio/TV technician for help.

IC STATEMENT

Operation is subject to the following two conditions:

(1) This device may not cause interference, and

(2) This device must accept any interference, including interference that may cause undesired operation of the device.

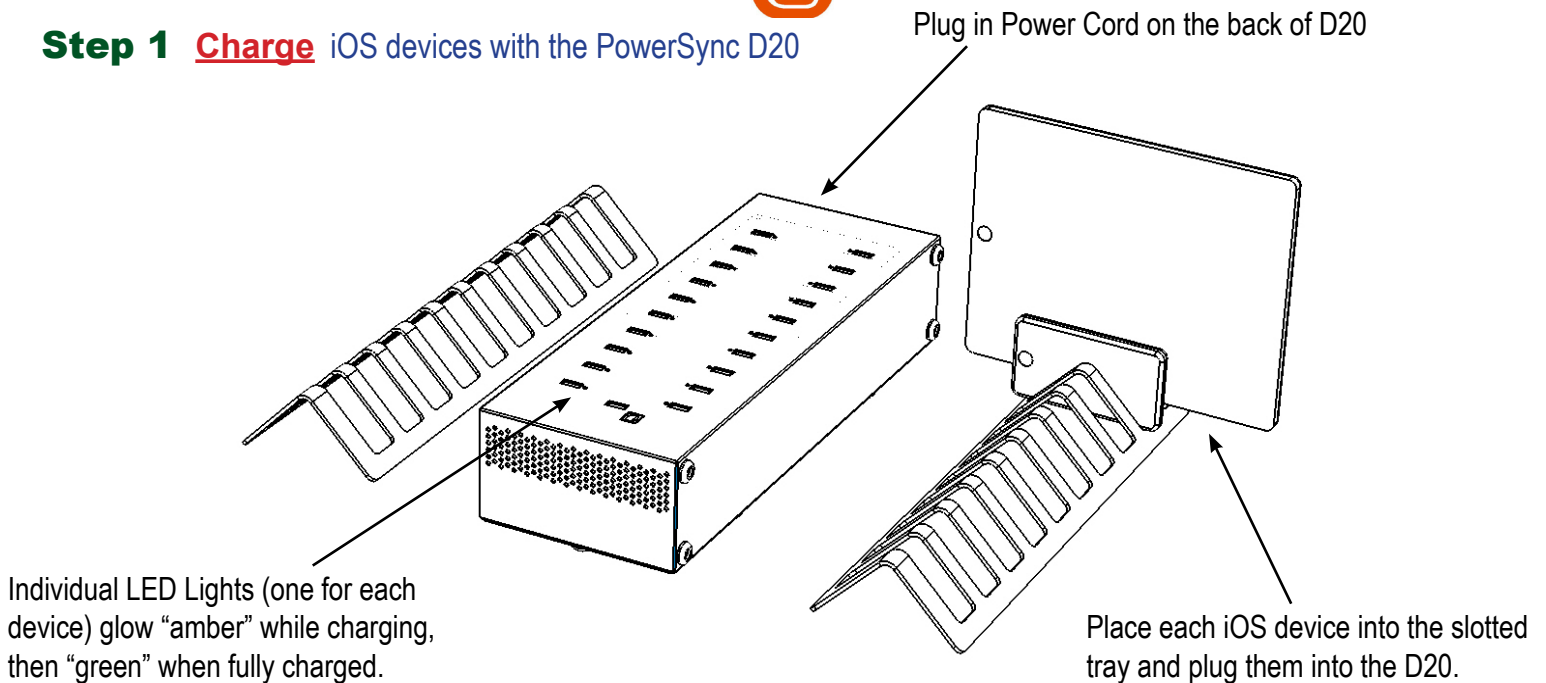
Le présent appareil est conforme aux CNR d'Industrie Canada applicables aux appareils radio exempts de licence.

L'exploitation est autorisée aux deux conditions suivantes : (1) l'appareil ne doit pas produire de brouillage, et (2) l'utilisateur de l'appareil doit accepter tout brouillage radioélectrique subi, même si le brouillage est susceptible d'en compromettre le fonctionnement.

*iOS devices refer to iPod touch, iPad & iPhone



Step 1 **Charge** iOS devices with the PowerSync D20



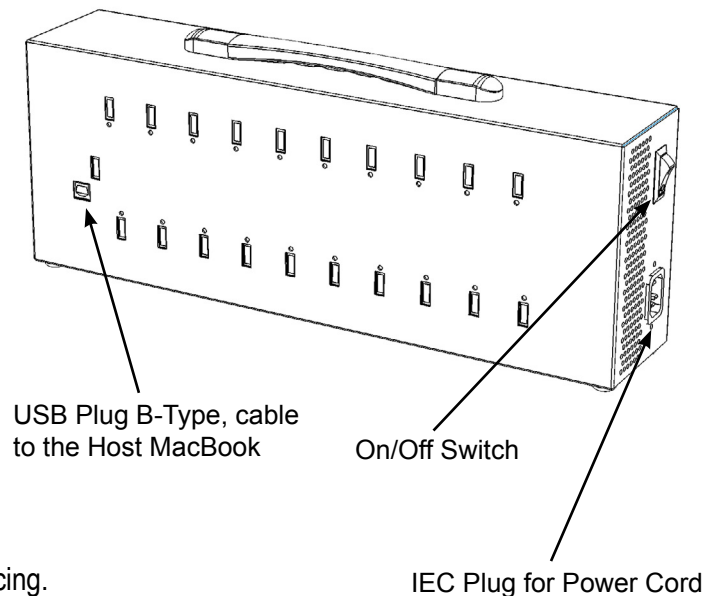
Step 2 **Sync** iOS devices using the PowerSync D20

iOS devices can now be prepared in the Apple Configurator, or synced using iTunes. For guidance on using the Apple Configurator, please refer to:

<http://apple.bretford.com/deployment>

For Syncing with iTunes:

- Once you have created the content & organized your playlists within iTunes, and set-up each individual iOS device. Please start with the following configuration:
 - Each iOS device is connected in the D20
 - Mac is “ON” with no applications running
 - PowerSync D20 is plugged into wall and Switch is in “OFF” position.
- Connect the USB Cable from the port of the D20 to your Mac
Note: USB 2.0 port on your Mac is recommended
- Turn main Power Switch on D20 to “ON” position.
- iTunes will automatically launch – then wait until your Mac shows each iOS device
Note: This may take a few moments to complete.
Each iOS device will automatically appear in iTunes & begin syncing.
The spinning wheel to the right of each iOS device indicates that syncing is in progress.
Sync is complete when spinning wheel disappears.*
- Once the Sync Process is complete, eject each iOS device or simply close iTunes to eject all at once.
- Unplug the USB Cable from your Mac, and the iOS devices will then charge.



NOTE: iOS devices will not charge and sync at the same time!