

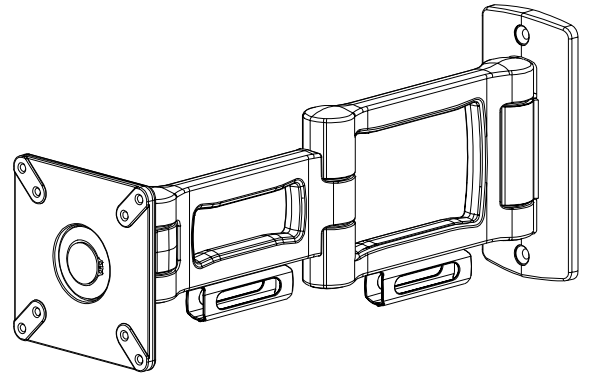


BRETFORD™

TJ540LL/A

CINEMA DISPLAY WALL MOUNT

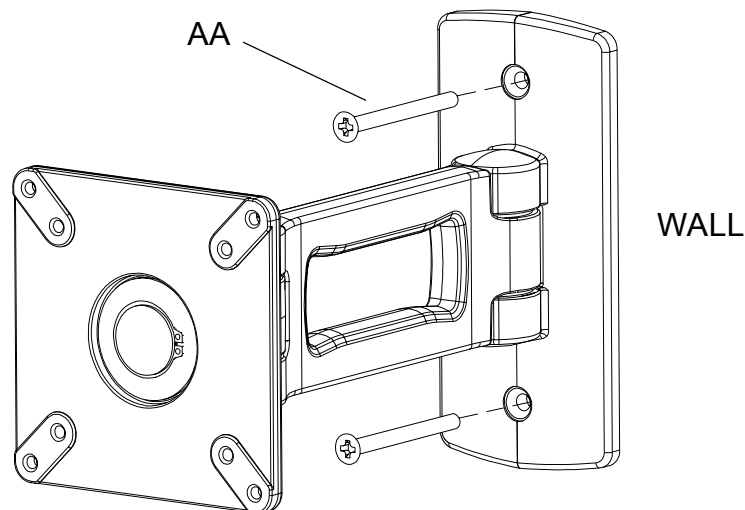
Assembly Instructions



Hardware List

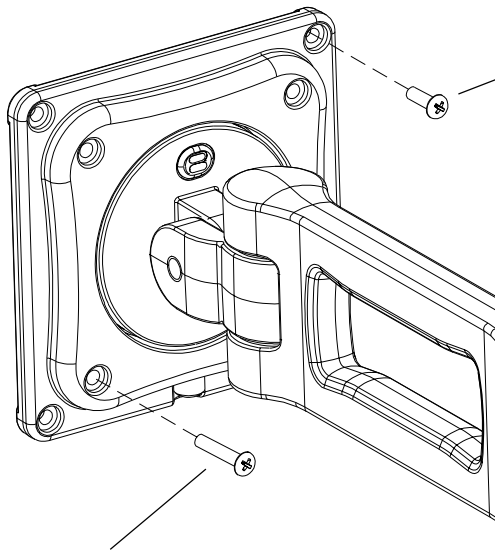
Ref.	Qty.	Part No.	Description
AA	2	030-1177	#12 x 2 1/2" Flat Head Wood Screws
BB	4	030-0845	M4 x 0.7 , 20mm Phillips Pan Head Screws
CC	4	030-1234	M4 x 0.7 , 12mm Phillips Pan Head Screws
DD	2	012-0760	Cable Clips
	1	030-0397	3/16" Allen Wrench

CAUTION: This mount is intended to support a LCD monitor having a diagonal screen size of 22.9" and a maximum weight of 25 lbs. Use of any other size monitors may result in instability causing possible injury. The wall mounting hardware included in your hardware pack is **INTENDED** for **WOOD STUD INSTALLATION ONLY**. For added safety and ease of installation, use a qualified professional to properly install the correct mounting hardware. Bretford will not be liable for the improper use or installation of its products.



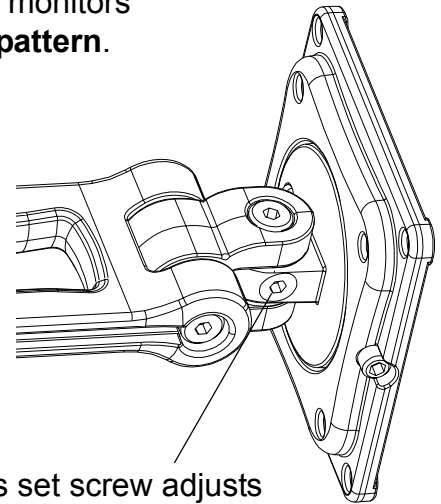
STEP 1

Attach the mount to the wall through a wood stud using hardware (AA) as shown.



BB - (20mm screws)
 These are used on the **inner**
 hole pattern for monitors
 with a **75mm pattern**.

CC - (12mm screws)
 These are used on the **outer**
 hole pattern for monitors
 with a **100mm pattern**.

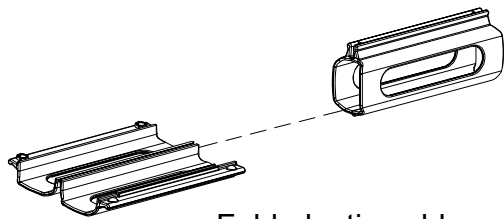


This set screw adjusts
 the tilt of the vesa plate.
 Use 3/16" Allen wrench
 provided.

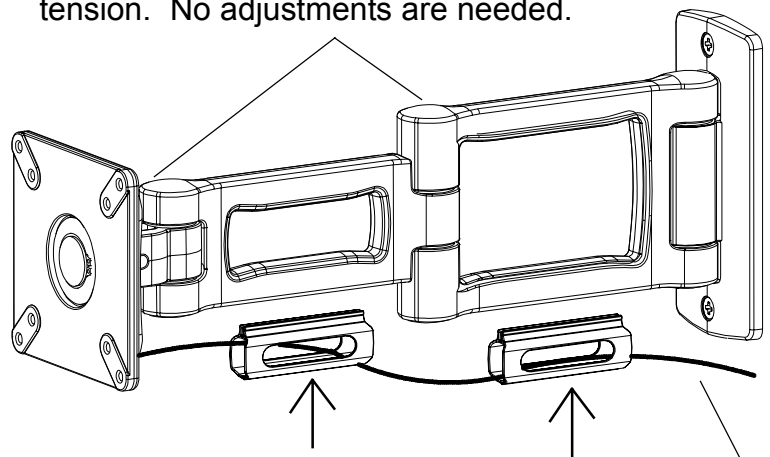
STEP 2

Attach your monitor to the vesa plate with either screws (BB) or (CC) as indicated above. **NOTE:** The screws that came with your monitor may be sufficient for mounting to the vesa plate. As long as they are a M4 type screw and sufficient in length.

Knuckle joints are preset to correct
 tension. No adjustments are needed.



Fold plastic cable
 clip closed.



Power cords

Feed power cords through clip and
 then snap clips into arm's bottom slot.

Bretford
 11000 Seymour Avenue
 Franklin Park, IL 60131
 TEL: 847.678.2545
 800.521.9614
 FAX: 847.678.0852
 800.343.1779

Bretford Ltd.
 2 Etongate
 110 Windsor Road
 Slough, Berkshire SL1 2JA England
 TEL: 01753 216531
 FAX: 01753 539478

www.bretford.com

Part # 031-7275
 Rev. 06.29.06 CZ